

# DHI-XVR7416L-4KL

## 16 Channel Penta-brid 4K 1.5U Digital Video Recorder



The Device features powerful digital monitoring capability for the security industry. The embedded LINUX OS assures the stable operation, high accessibility and delivers unmatched monitoring with easy to use configurations. The Device features functions such as recording, playback, and monitoring and offers synchronization for audio and video. The Device also adopts the advanced control technology and has a strong network data transmission capability.

### Series Overview

The Device harnesses its embedded design to ensure high security and reliability. It can work from the local end or, through its strong networking capability, connect to the professional surveillance software to form a security network, displaying its powerful remote monitoring functions. Also, it can upgrade the old system for fine definition without changing the initial circuit.

### Functions

#### GUI4.0

Brand new local and web UI style with new boot logo and web login logo.

#### Zero-channel Encoding

Uses zero-channel encoding to blend multiple analog and IP channels into one channel. Enjoy monitoring through remote multi-window live view and save on networking transmission bandwidth.

#### HDCVI/AHD/TVI/CVBS Auto-detect

HDCVI/AHD/TVI/CVBS Auto-detect

The XVR can auto recognize the signal of front-camera without any setting. It makes operation more friendly and convenient.

#### Coaxial Audio/Upgrade/Alarm

The integrated design can reduce wiring troubles which makes it much more cost-effective and convenient for installation.

- H.264/H264+dual-stream video compression
- Supports HDCVI/AHD/TVI/CVBS/IP video inputs
- Max 24 channels IP camera inputs, each channel up to 4 MP
- Max 96 Mbps incoming bandwidth
- Supports 5 MP camera input
- Supports simultaneous display of VGA , HDMI and TV
- Supports 4 SATA HDD, up to 8 TB capacity for each disk
- Smart Search and Intelligent Video System



### Long Distance Transmission

The HDCVI system supports long distance transmission over coaxial cable and UTP, max. 300 m for 1080p and 500 m for 720p.

### Intelligent Video System (IVS)

With built-in intelligent video analytics, the XVR has the ability to detect and analyze moving objects for improved video surveillance. The XVR provides optional standard intelligence at the edge allowing detection of multiple object behaviors such as abandoned or missing objects. IVS also supports Tripwire analytics, allowing the camera to detect when a pre-determined line has been crossed.

### Face Detection

It is a typical technology being used in a variety of applications for searching or identification of individuals.

### Spot Output

HDMI2 port is made for a secondary monitor. This allows the operator to view one special monitor that assigned to selected cameras or video inputs from higher security areas.

### Others

Export of recordings is done using USB port and network.

It is impossible to open/edit menu or view/export recordings through locally connected monitor without entering username and password.

Supporting NTP service.

Supporting ability to indicate recording length by fixing number of days.

Supplied with accessories for server cabinet (rack) installation.

Supporting function of adding users, their restriction, access level functions.

Supporting 24/7 operating mode.

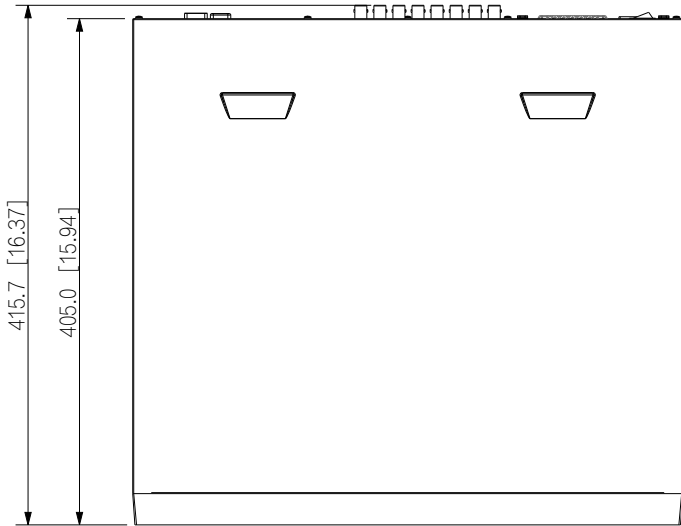
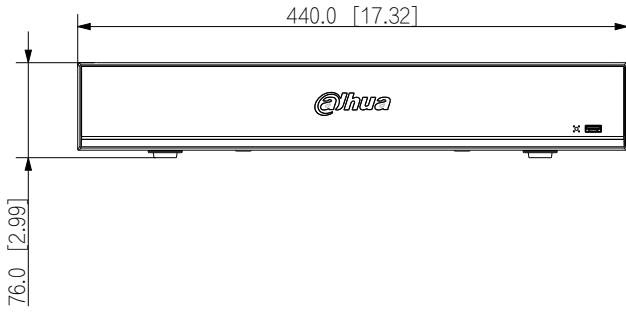
ST4000VX005 hard drive is compatible with DHI-XVR7416L-4KL recording device.

Technical Specification			
System		Max User Access	128 users
Main Processor	Embedded processor	Mobile Phone Access	iOS, Android
Operating System	Embedded linux	Interoperability	ONVIF (profile S), CGI, SDK
Face Detection		Alarm	
Face Detection	only for the 1st channel,only support analog camera	General Alarm	Motion detection, Video Loss, tampering
IVS Analytics		Anomaly Alarm	No disk, disk error, low space, offline, ip conflict, MAC conflict
IVS	1 channel, 10 IVS for each channel,only support analog camera	Intelligent Alarm	Face detection, IVS
Audio and Video		Alarm Linkage	Record, snapshot (panoramic), IPC external alarm output, access controller, voice prompt, buzzer, log, preset, email
Analog Camera Input	16 channels, BNC	Alarm input	16
HDCVI Camera Input	4K; 6 MP; 5 MP; 4 MP; 3 MP; 1080p; 720p	Relay Output	6
AHD Camera Input	4K; 6 MP; 5 MP; 4 MP; 3 MP; 1080p; 720p	Playback and Backup	
TVI Camera Input	4K; 6 MP; 5 MP; 4 MP; 3 MP; 1080p; 720p	Playback	1/4/9/16
CVBS Camera Input	PAL/NTSC	Search Mode	Time /Date, Alarm, MD and Exact Search (accurate to second)
IP Camera Input	16+8 channels, each channel up to 4 MP	Playback Mode	Instant playback, general playback, event playback, tag playback, smart playback (face and motion detection)
Audio Input	4 BNC	Backup	USB Device/Network
Audio Output	1 BNC	Storage	
Two-way Talk	1 Mic In, 1 Mic Out, BNC	HDD Interface	4 SATA ports, up to 8 TB capacity for each disk
Recording		eSATA	1 port
Video Compression	H.264+/H.264	Auxiliary Interface	
Resolution	4K, 6 MP, 5 MP, 4 MP, 3 MP, 1080p, 720p, 960H, D1, CIF, BCIF, QCIF	USB	3 USB ports (1 USB 2.0, 2 USB 3.0)
Record Rate	Main stream: All channel 4K (1 fps-7 fps); 6 MP (1 fps-10 fps); 5 MP (1 fps-12 fps); 4 MP/3 MP(1 fps-15 fps);/1080p/720p/960H/D1/CIF (1 fps-25/30 fps); Sub steram: 960H (1 fps-15 fps);1/CIF (1 fps-25/30 fps)	RS-485	1 port, for PTZ control
Record Mode	Manual, Schedule (General, Continuous), MD (Video detection: Motion Detection, Video Loss, Tampering), Alarm, Stop	RS-232	1 port, for PC communication & Keyboard
Bit Rate	32 Kbps-6144 Kbps Per Channel	Electrical	
Audio Sample Rate	8 KHz, 16 bit Per Channel	Power Supply	AC 220 V
Audio Bit Rate	64 Kbps Per Channel	Power Consumption (Without HDD)	≤ 35 W
Audio Compression	G.711A; G.711U; PCM	Construction	
Display		Dimensions	1.5U, 440 mm × 417 mm × 76mm (17.3" × 16.4" × 3.0")
interface	2 HDMI, 1 VGA, 1 TV	Net Weight (without HDD)	≤ 4.8 kg (10.58 lb)
Resolution	HDMI: 3840 × 2160, 2560 × 1440, 1920 × 1080, 1280 × 1024, 1280 × 720 VGA: 1920 × 1080, 1280 × 1024, 1280 × 720	Installation	Desktop installation/Rack-mounted
Multi-screen Display	When IP extension mode enabled: 1/4/8/9/16/25 When IP extension mode not enabled: 1/4/8/9/16	Environmental	
OSD	Camera title, Time, Video loss, Camera lock, Motion detection, Recording	Operating Temperature	-10 °C to +55 °C (+14 °F to +131 °F)
Network		Operating Humidity	10%-90%
Network Port	1 RJ-45 Port (1000 MB)	Third-party Support	
Network Protocol	HTTP, HTTPS, TCP/IP, IPv4/IPv6, Wi-Fi, SNMP, UPnP, RTSP, SMTP, NTP, DHCP, DNS, PPPoE, DDNS, FTP, Alarm Server, IP Search (Supports Dahua IP camera, DVR, NVS, etc.)	Third-party Support	Dahua, Arecont Vision, AXIS, Bosch, Brickcom, Canon, CPPlus, Dynacolor, Honeywell, Panasonic, Pelco, Samsung, Sanyo, Sony, Videotec, Vivotek, and more
		Certifications	
		Certifications	CE: CE LVD EN 62368 CE EMC: EN55032 EN55024 EN55035,EN50130-4 FCC: part15B

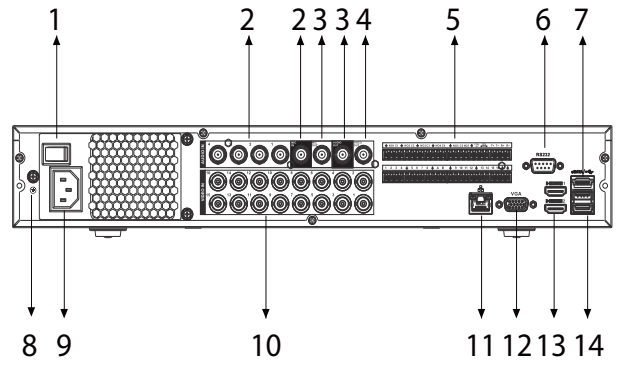
**Ordering Information**

Type	Model	Description
16 Channel XVR	DHI-XVR7416L-4KL	16 Channel Penta-brid 4K 1.5U Digital Video Recorder

**Dimensions (mm[inch])**



**Panels**



- 1 Power Switch
- 2 AUDIO IN, RCA Connector
- 3 AUDIO OUT, RCA Connector
- 4 VIDEO OUT
- 5 Alarm In/Out
- 6 RS-232 Port
- 7 eSATA Port
- 8 Ground
- 9 Power Input
- 10 VIDEO IN
- 11 Network Port
- 12 VGA Port