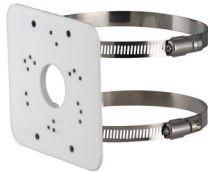


DH-PFA152-E

Pole Mount Bracket



- Made from aluminum alloy and SUS 304.
- Suitable for a variety of cameras and is elegant.
- Designed for multiple types of poles that are 80 mm-150 mm wide.



Series Overview

The Mounting Bracket works with front-end services, supporting installation methods such as wall mount, pole mount, corner mount and in-ceiling mount. Select brackets are designed to suit complex scenes, making them convenient to use in environments with high temperatures, humidity, frequent vibrations, and in locations that are highly corrosive. These highly reliable brackets are easy to install and use.

Scene

Ideal for mounting cameras, it works in temperatures ranging from -40°C to $+60^{\circ}\text{C}$ (-40°F to $+140^{\circ}\text{F}$) and in environments with relative humidity of less than 90%.

Technical Specification

Structure

Casing Material	Aluminum alloy; Hoop: SUS304
Product Dimensions	125.6 mm × 114.0 mm × 20.0 mm (4.94" × 4.49" × 0.79") (L × W × H)
Appearance Color	White
Net Weight	0.26 kg (0.57 lb)
Gross Weight	0.36 kg (0.79 lb)
Load bearing	3.0 kg (6.61 lb)
Installation	Pole mount
Pole Diameter	Φ80 mm–150 mm (Φ3.15"–5.91")
Packaging Dimensions	146.0 mm × 65.0 mm × 147.0 mm (5.75" × 2.56" × 5.79") (L × W × H)
Applicable Model	Please see "Camera Accessories Selection"

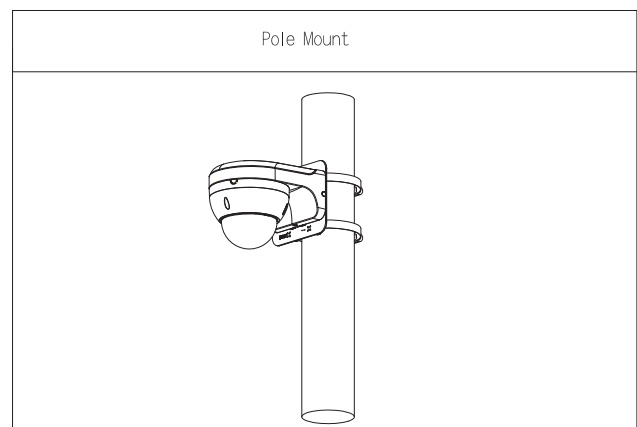
Environment

Operating Temperature	-40°C to $+60^{\circ}\text{C}$ (-40°F to $+140^{\circ}\text{F}$)
Operating Humidity	< 90% (RH)
Storage Temperature	-40°C to $+60^{\circ}\text{C}$ (-40°F to $+140^{\circ}\text{F}$)
Storage Humidity	10%–90% (RH)
Anti-corrosion Level	Basic Protection

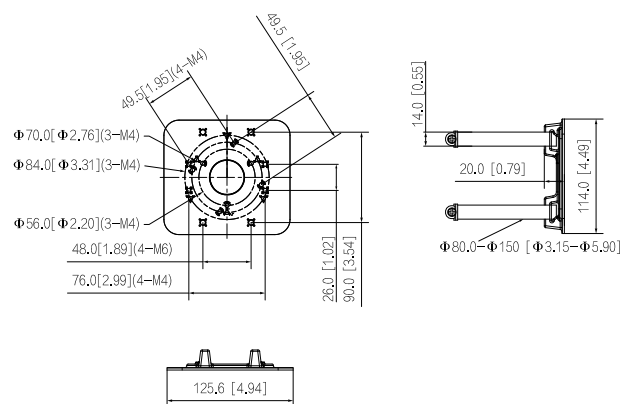
Ordering Information

Type	Model	Description
Camera Mount	DH-PFA152-E	Pole Mount Bracket

Installation



Dimensions (mm[inch])



Package Information

- Pole mount bracket × 1
- M4×10 screw × 4
- M6×14 screw × 4
- S5.0 wrench × 1
- 80–150mm metal hoop × 2