

Solar CCTV Tower UNI-T2S Compact



SPECIFICATIONS



1.Specifications

Brand	UNIV
Name	Solar CCTV Tower
Model	UNI-T2S Compact
Material	Steel Q235
Powder	Outdoor + Anti-Corrosion
Dimension (Transportation)	1600 × 1800 × 2130 mm
Dimension (Traveling)	2710 × 1800 × 2930 mm
Dimension (Operation)	3834 × 1799 × 7458 mm
Weight	850kg / 1874lb
System Voltage	DC24V
Work Temperature	-20℃~60℃ / -4°F~140°F
Warranty	2 years

Solar Panels

Solar Panel	2 × 490W
Open Circuit Voltage	DC41.1V
Efficiency	24.5%
Series & Parallel	2 in parallel
Angle	10°-45°,Manual Lifting

Control System

Solar Controller	40A MPPT
Efficiency	95%+
Protection	Yes
Remote	Yes
Victron Energy	Optional

LFP Battery

Battery	1 × 230Ah
Voltage	DC25.6V
Capacity	5.888kW·h
BMS	Yes
Heater	Yes
Life	Cycle 4000 at 90% DOD,25℃
Running Time	96 hours for 55W

Charger system

Battery Charger	1.5kW
Charging Current	45A
Efficiency	89%
Socket	1 × 16A,AC120V

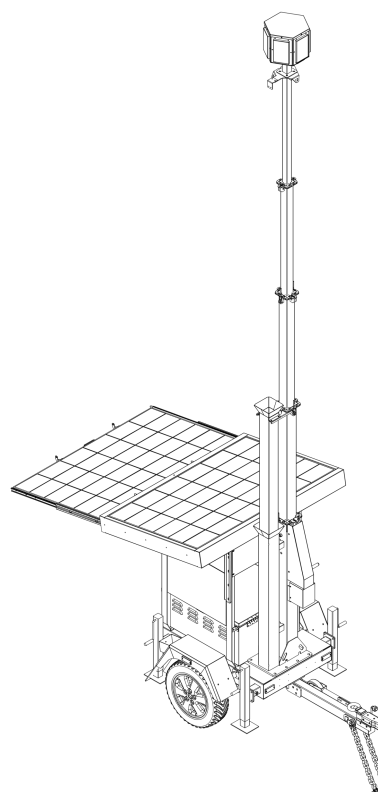
Telescopic Mast

Material	Steel Q355,Hot Dip Galvanized
Type	Square,Telescopic
Height	6.3m / 20.7ft
Section	5
Wire Rope	Stainless Steel 304,5mm

Spiral Cable	2 × Cat5e + 14 × Power Supply
Lifting Method	Manual Winch
Recommended Loading	5kg ~ 50kg / 11lb ~ 110lb
Windproof	117kph / 72.7mph

Trailer

Trailer Standard	US / AU / EU
Trailer Light	US / AU / EU
Tow Hitch	50mm / 2" Ball Type
Jockey Wheel	200mm / 8"
Axle	Single,Suspension,Electric Brake
Tire	14 inch
Outrigger	4 × Manual,Hot Dip Galvanized
Bubble level	4 pcs
Wheel Chock	2 pcs
Forklift Pocket	Yes
Lifting Ring	4 pcs



2. Diemensions

