

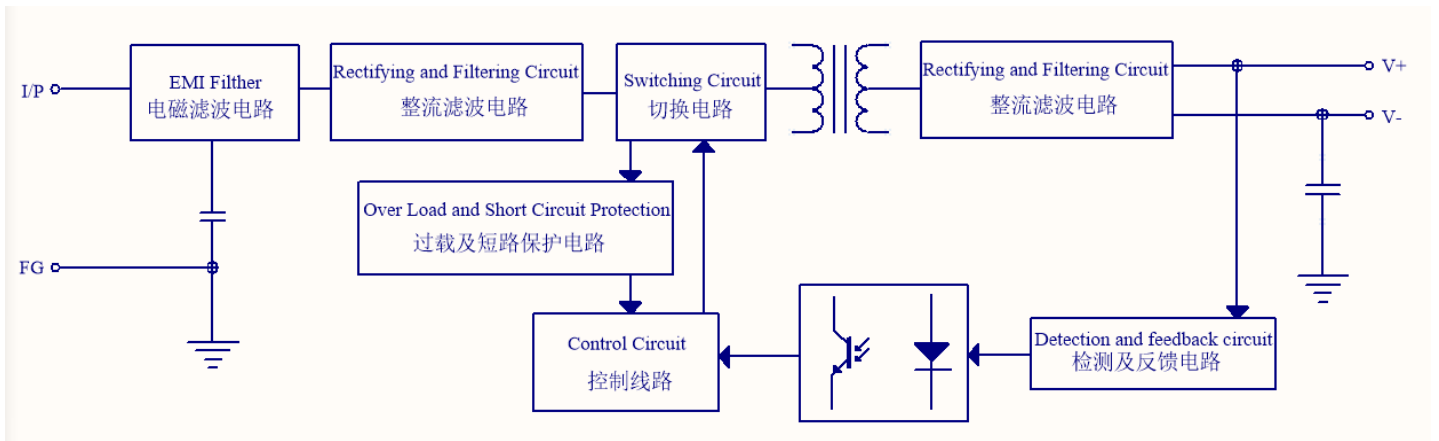
Features 主要特性

- Aluminium Casing (铝外壳)
- Ultra-low start up temp.超低温启动 (-30℃)
- Ultra-light and easy to install 易安装
- High efficiency up to 85%高效率
- High reliability 高可靠性
- Wide input Voltage宽电压 90 ~ 132Vac
180 ~ 264Vac

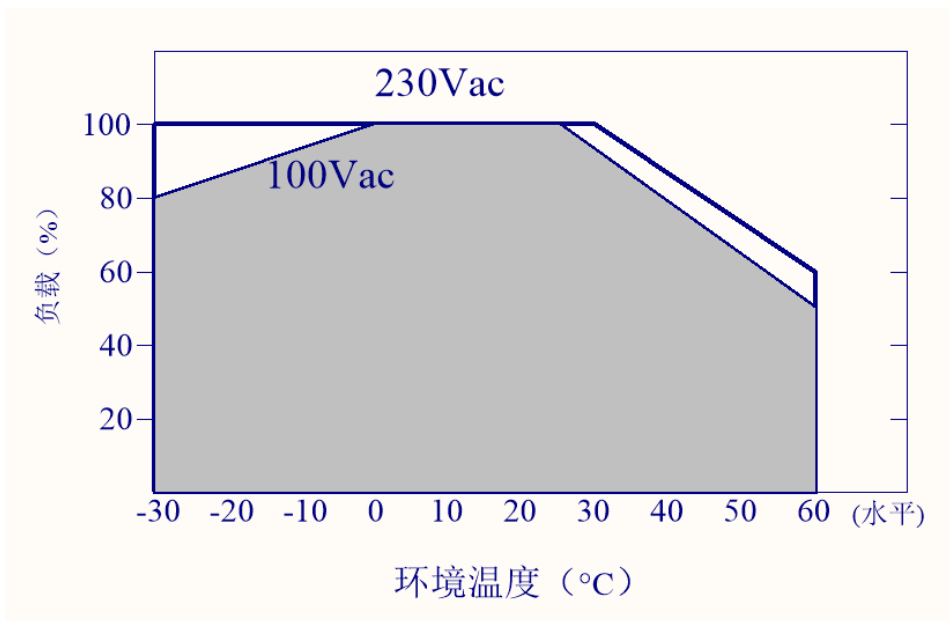


电气规格

ITEM	FUNCTION	S-250-12
Output Characteristics 输出特性	DC Output Voltage 输出电压	12V
	Output Current 输出电流	0~20.8A
	Rated Power 额定功率	250W
	Ripple & Noise 纹波和噪声	150mVp-p
	Output Voltage range 输出电压调整范围	11.4~12.6V
	Output Voltage Tolerance 电压精度	±3%
	Line Regulation 电源调整率	1%
	Load Regulation 负载调整率	2%
	Setup and Rise Time 开机及爬升时间	3.0S, 20mS@115Vac 1.5S, 20mS@230Vac
Input Characteristics 输入特性	Typical Input Voltage 典型输入电压	100~240Vac 50~60Hz 120~350Vdc
	Maximum Input Voltage Range 最大输入电压范围	90~264Vac 47~63Hz 100~375Vdc
	Typical Efficiency 典型效率	84%
	Maximum Input Current 最大输入电流	Max 7.0A @ 115Vac; Max 3.5A @ 230Vac;
	Inrush Current 浪涌电流	Less than 50A/230Vac, cold start 冷启动, 小于50A
	Leakage Current 漏电流	<0.75mA/240Vac
Protection Characteristics 保护特性	Overload Protection 过载保护	110%~150% of rated load. 过载保护范围为额定输出功率的 110~150%
	Short Circuit Protection 短路保护	Protection Type : Hiccup mode, Auto-recovery 保护模式: 打嗝模式, 异常条件移除后自动恢复



■ 减额曲线



■ 静态特性曲线

