

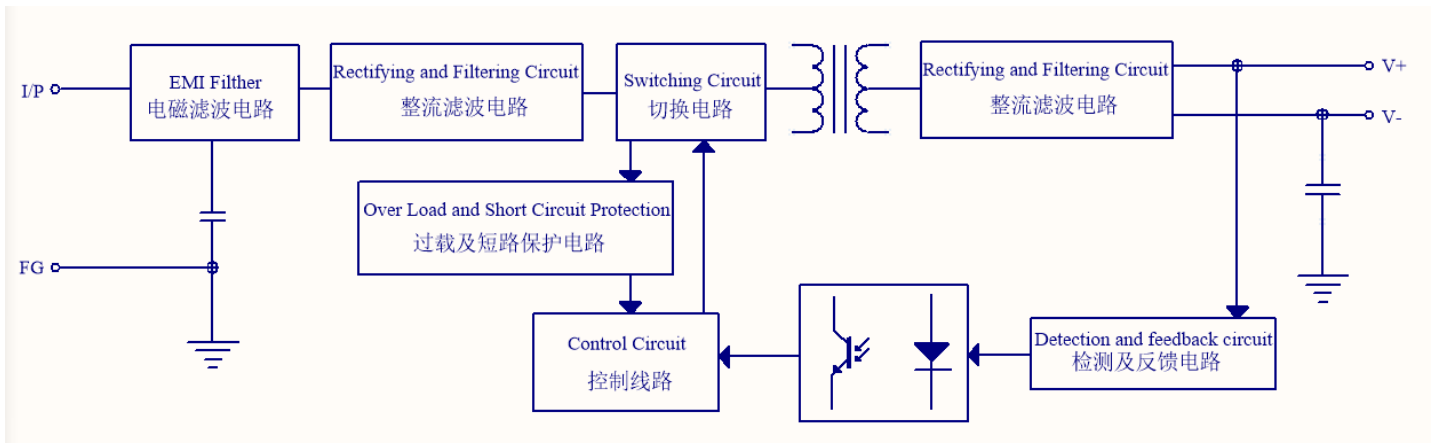
Features 主要特性

- Aluminium Casing (铝外壳)
- Ultra-low start up temp.超低温启动 (-30℃)
- Ultra-light and easy to install 易安装
- High efficiency up to 85%高效率
- High reliability 高可靠性
- Wide input Voltage宽电压 90 ~ 264Vac

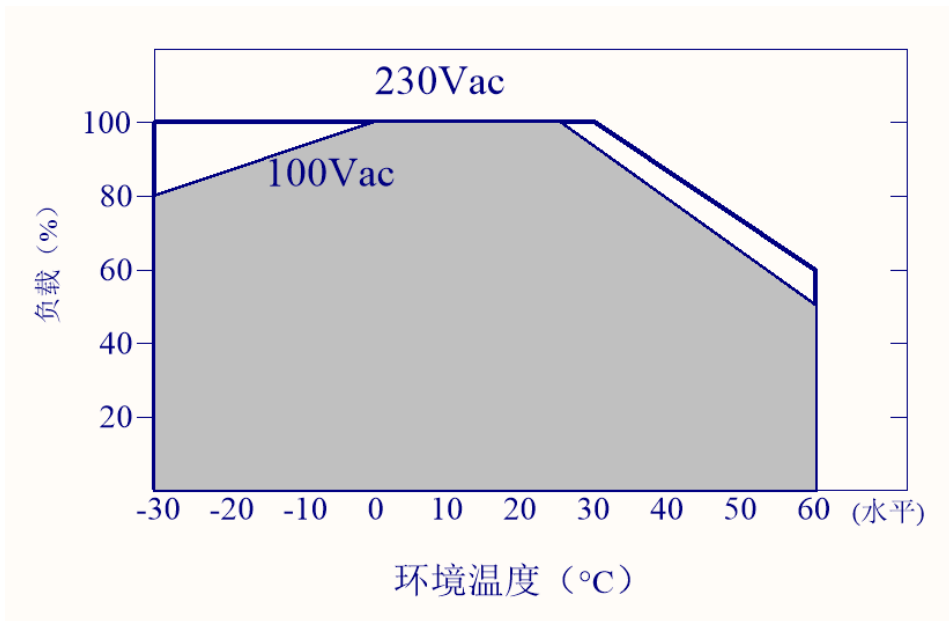
**电气规格**

ITEM	FUNCTION	S-36-12		
Output Characteristics 输出特性	DC Output Voltage 输出电压	12V		
	Output Current 输出电流	0~3A		
	Rated Power 额定功率	36W		
	Ripple & Noise 纹波和噪声	150mVp-p		
	Output Voltage range 输出电压调整范围	11.4~12.6V		
	Output Voltage Tolerance 电压精度	±3%		
	Line Regulation 电源调整率	1%		
	Load Regulation 负载调整率	2%		
	Setup and Rise Time 开机及爬升时间	3.0S, 20mS@115Vac 1.5S, 20mS@230Vac		
Input Characteristics 输入特性	Typical Input Voltage 典型输入电压	100~240Vac 50~60Hz 120~350Vdc		
	Maximum Input Voltage Range 最大输入电压范围	90~264Vac 47~63Hz 100~375Vdc		
	Typical Efficiency 典型效率	78%	82%	85%
	Maximum Input Current 最大输入电流	Max 1.0A @ 115Vac; Max 0.5A @ 230Vac;		
	Inrush Current 浪涌电流	Less than 50A/230Vac, cold start 冷启动, 小于50A		
	Leakage Current 漏电流	<0.75mA/240Vac		
Protection Characteristics	Overload Protection 过载保护	110%~150% of rated load. 过载保护范围为额定输出功率的 110~150%		

保护特性	Short Circuit Protection 短路保护	Protection Type : Hiccup mode, Auto-recovery 保护模式: 打嗝模式, 异常条件移除后自动恢复
Signal 指示信号	DC OK Signal 输出指示	LED light to indicate PSU turn on LED 亮灯指示电源输出正常
Ambient 环境	Ambient Temperature 工作环境温度	-30~60°C (Reference To Derating Curve) -30~60°C (参考降额曲线)
	Working Humidity 工作湿度	20~90% RH non-condensing 无冷凝
	Storage Temp. and Humidity 存储温湿度	-30~70°C, 10~95% RH 无冷凝
	Withstand Vibration 耐振动参数	10~500Hz, 5G 10min./cycle, 60min. each along X, Y, Z axis 10~500Hz, 5G 10分钟/周期, X、Y、Z各60分钟
Safety 安全	Withstand Voltage 耐压测试	Input-FG: 1500Vac or 2121Vdc Input-Output: 1500Vac or 2121Vdc Output-FG: 500Vac or 707Vdc
	Isolation Resistance 绝缘测试	Input-FG: > 100M Ohm 500Vdc @ 25°C & 70RH Input-Output: > 100M Ohm 500Vdc @ 25°C & 70RH Output-FG: > 100M Ohm 500Vdc @ 25°C & 70RH
Packing 包装	Unit Weight 电源单重	1.2Kg/PCS
	Unit Dimension 电源尺寸	L 85 × W 58 × H 38 mm
	Packing And Weight 包装及重量	100PCS/BOX 13.78 KG/BOX
	Packing Box Dimension	L 45.2 × W 28 × H 25.2 mm
Assembly Diagram and Terminal Definition 安装尺寸及端子定义	<p>Note: This is bottom view, the screw should be M3, the length fixed into PSU must less than 3.5mm, or it should cause the PSU damage even cause the danger. 以下为底视图, 固定螺丝为 M3, 伸入电源的部分需小于 3.5mm, 否则可能导致电源损坏或引起危险。</p>	



■ 减额曲线



■ 静态特性曲线

