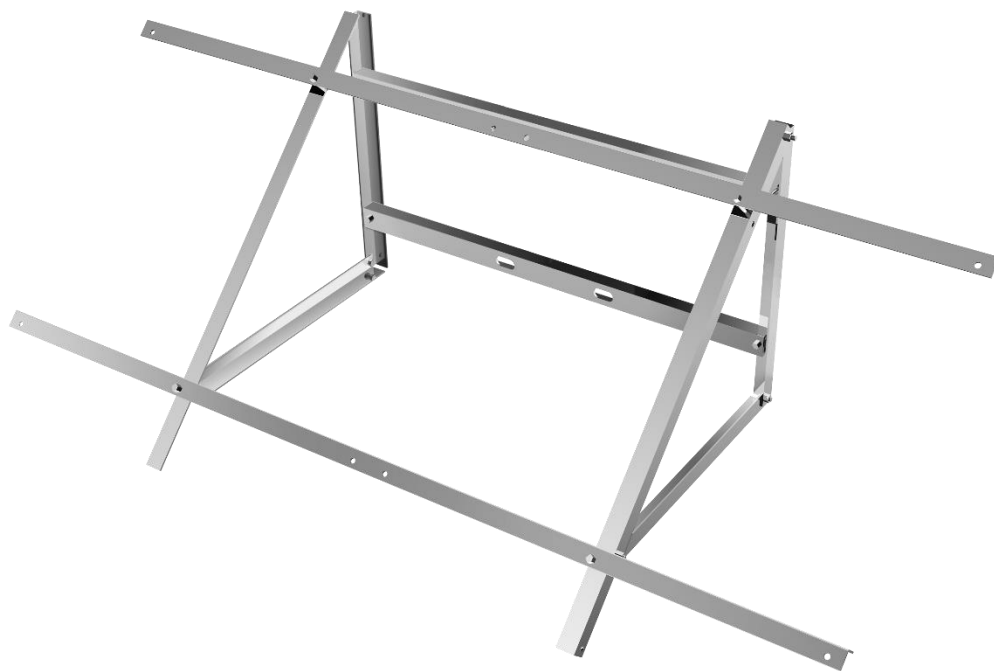


DH-PFM376

Solar module bracket



Features

- Q235 angle steel, stable and reliable structure
- Hot-dip galvanized surface treatment, good anti-corrosion effect

Technical Specifications

Model	DH-PFM376-A	DH-PFM376-B	DH-PFM376-C
General			
Material	Q235		
Plating	Galvanized		
color	Silver gray		
Load bearing	100kg(220.5lb)		
Salt spray test	≥30days		
Installation diameter	Ø170mm~ Ø 220mm(Ø 6.69" ~ Ø8.66")		
Installation latitude	0~60° (5° /set)		
Installation solar module number	6pcs	4pcs	2pcs
Dimension (with package)	3100mmx260mmx260mm (122.05"x10.24"x10.24")	2200mmx260mmx260mm (86.61" x10.24"x10.24")	2200mmx260mmx260mm (86.61" x10.24"x10.24")
Weight (with package)	115kg(253.5lb)	85kg(187.4lb)	52kg(114.6lb)
Package Information	U bolt *4 M8x20 screw *24 M10x25 screw *12 M10x60 screw *16 Steel Cannoli Form *8	U bolt *4 M8x20 screw *16 M10x25 screw *12 M10x60 screw *16 Steel Cannoli Form *8	U bolt *2 M8x20 screw *8 M10x25 screw *6 M10x60 screw *8 Steel Cannoli Form *4

Order Information

Product	Part Number	Description
Solar Module Bracket	DH-PFM376-A	For 6 pcs solar module
	DH-PFM376-B	For 4 pcs solar module
	DH-PFM376-C	For 2 pcs solar module

Installation



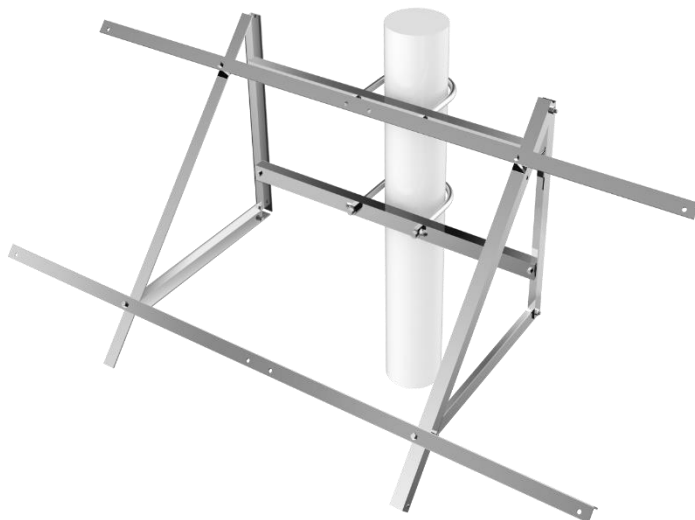
Step 1



Step 2



Step 3



Step 4