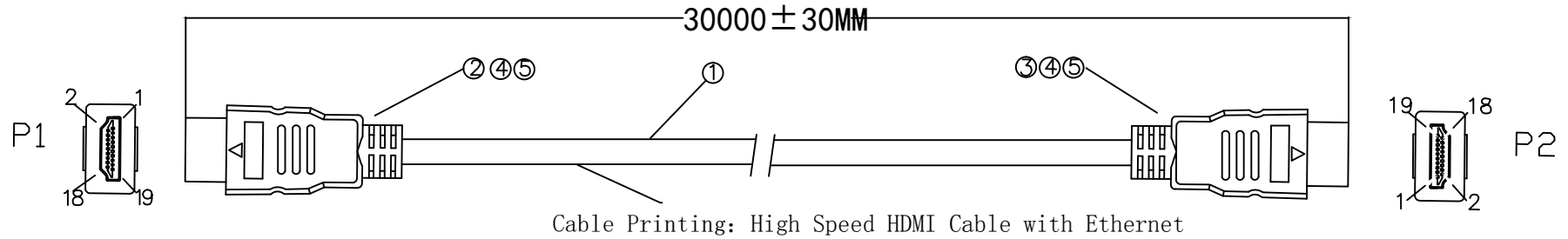
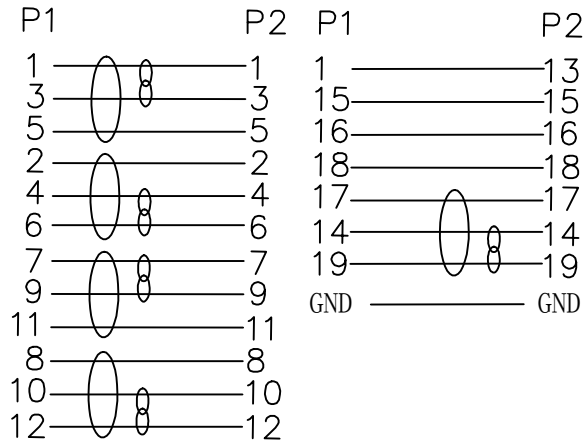
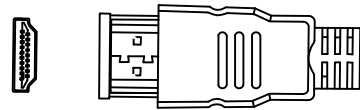


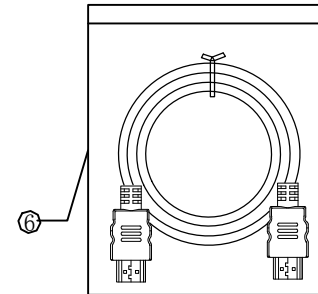
SKU SUD-HD-8030



Wiring diagram



TEST:4K compatible  
 CONDUCTOR RESISTANCE:10 OHMS MAX  
 INSULATOR RESISTANCE:10M OHMS MIN  
 HI-POT:DC 300V 0.10 SEC.



⑥	Package	Blank cable bag with cable loops (502-024)	*PCS	
⑤	Instrument material	45P black material (201-003)	*G	
④	Instrument material	7144PEinner membrane material (201-021)	*G	
③	Plugs	HDTV plugs 20P gold-plated with soldered tips, black core (101-001)	*PCS	
②	Plugs	HDTV plugs 20P gold-plated with soldered tips, black core (101-001)	*PCS	
NO.	Name	Specification	Quantity	Remark

