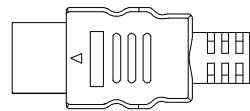
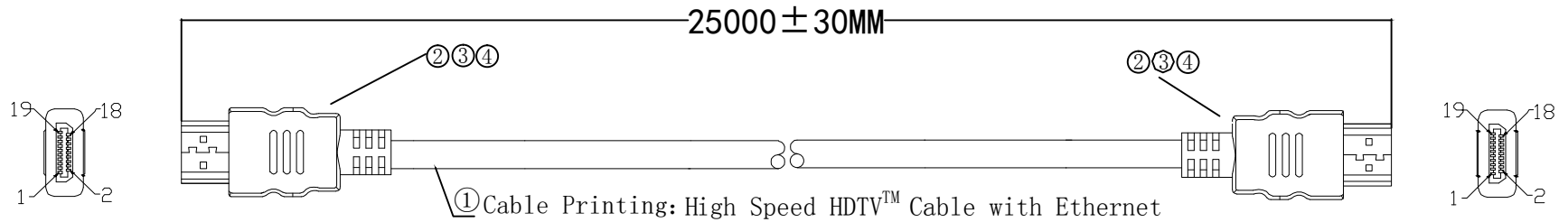
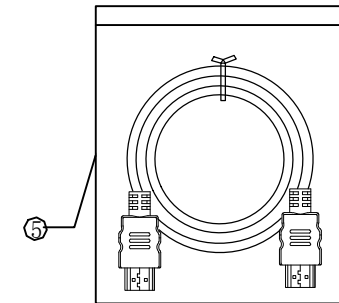
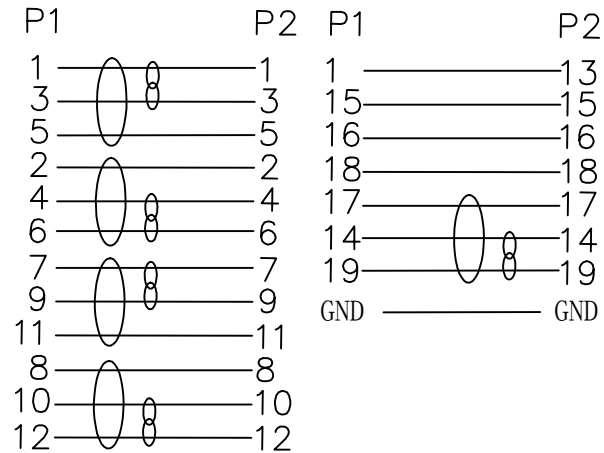


SKU

SUD-HD-2025



### PIN OUT



TEST:1080P

CONDUCTOR RESISTANCE:10 OHMS MAX

INSULATOR RESISTANCE:10M OHMS MIN

HI-POT:DC 300V 0.10 SEC.

|     |                     |   |          |        |
|-----|---------------------|---|----------|--------|
| ⑤   | Package             | Blank cable bag with cable loops                                    | *PCS     |        |
| ④   | Instrument material | 45P black material (201-003)  | *G       |        |
| ③   | Instrument material | 7144PEinner membrane material (201-021)                             | *G       |        |
| ②   | Plugs               | HDMI plugs 20P gold-plated with soldered tips, black core (101-001) | *PCS     |        |
| ①   | Cable               | HDTV (26AWG*1P+DA)*5C+26AWG*4C+D+AL+80B ODS. 5MM1 Black (607-064)   | *M       |        |
| NO. | Name                | Specification   | Quantity | Remark |

