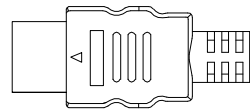
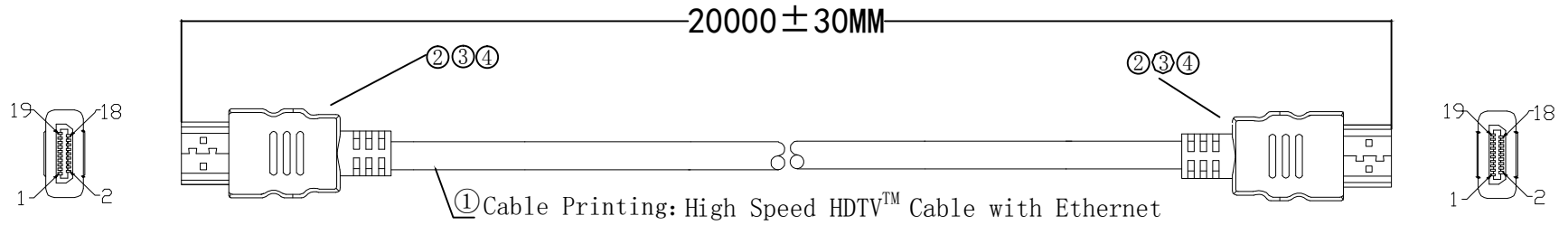
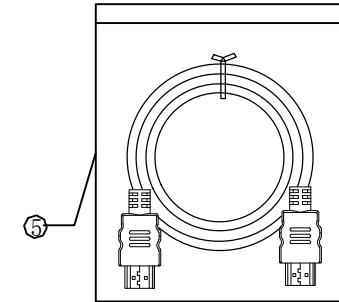
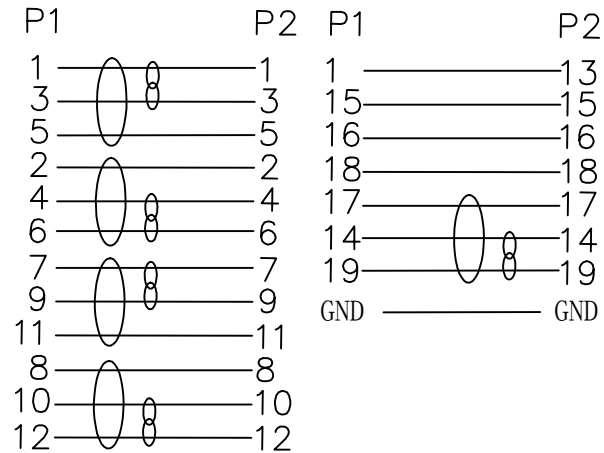


SKU

SUD-HD-2020



PIN OUT



TEST:1080P

CONDUCTOR RESISTANCE:10 OHMS MAX

INSULATOR RESISTANCE:10M OHMS MIN

HI-POT:DC 300V 0.10 SEC.

⑤	Package	Blank cable bag with cable loops	*PCS	
④	Instrument material	45P black material (201-003)	*G	
③	Instrument material	7144PEinner membrane material (201-021)	*G	
②	Plugs	HDMI plugs 20P gold-plated with soldered tips, black core (101-001)	*PCS	
①	Cable	HDTV (26AWG*1P+DA)*5C+26AWG*4C+D+AL+80B ODS. 5MM1 Black (607-064)	*M	
NO.	Name	Specification	Quantity	Remark

