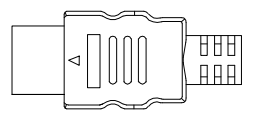
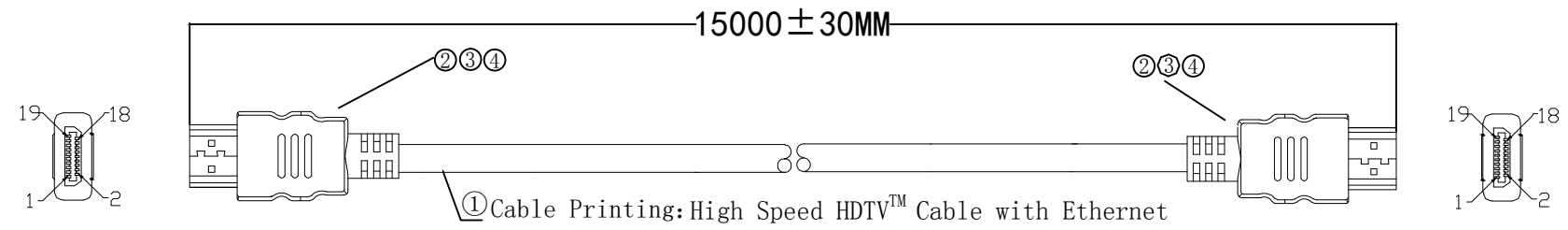
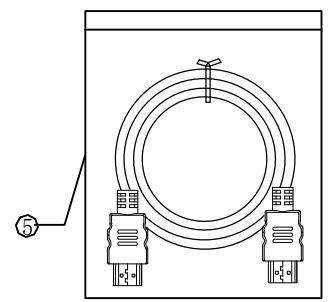
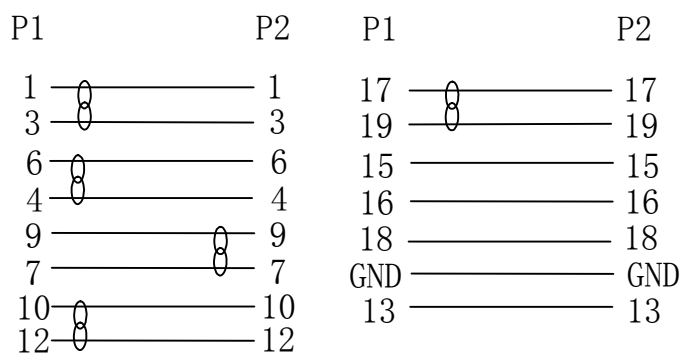


SKU SUD-HD-2015



PIN OUT



TEST:1080P
 CONDUCTOR RESISTANCE:10 OHMS MAX
 INSULATOR RESISTANCE:10M OHMS MIN
 HI-POT:DC 300V 0.10 SEC.

⑤	Package	Blank cable bag with cable loops	*PCS	
④	Instrument material	45P black material (201-003)	*G	
③	Instrument material	7144PEinner membrane material (201-021)	*G	
②	Plugs	HDMI plugs 20P gold-plated with soldered tips, black core (101-001)	*PCS	
①	Cable	(1P+1/0.32CCS+AL)*5C+4C*1/0.25BC+AL+1/0.25BC OD7.3MM Black	*M	
NO.	Name	Specification	Quantity	Remark

